
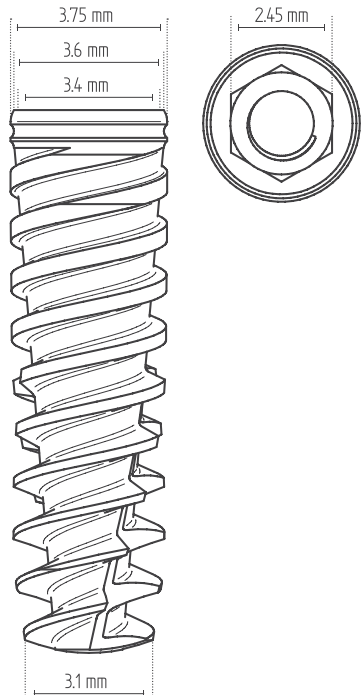


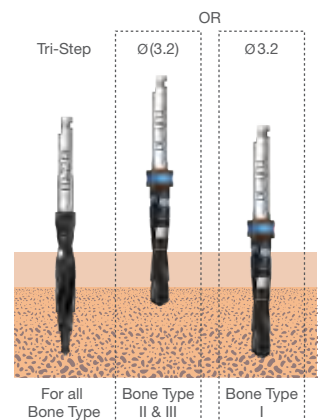
TOUAREG™ - OS **Ø3.75**

OsseoFix™ Surface
Titanium Grade 5

Catalog No.	Length mm		
ISF0838	8		
ISF1038	10		
ISF1138	11.5		
ISF1338	13		
ISF1638	16		
ISF1838	18		

Drill Sequence

BONE TYPE D-IV	BONE TYPE D-II & III	BONE TYPE D-I
1. Tri-Step*	1. Tri-Step* 2. (3.2)	1. Tri-Step* 2. 3.2



Note: (x.xx) drill to the depth of the cortex only. All measurements are in mm.

⚠ CAUTION: The drill preparation is up to 1mm longer than the implants.

* For initial drilling, you may use 2, 2.8 and 3.2 drills in sequence instead of the Tri-Step drill.