
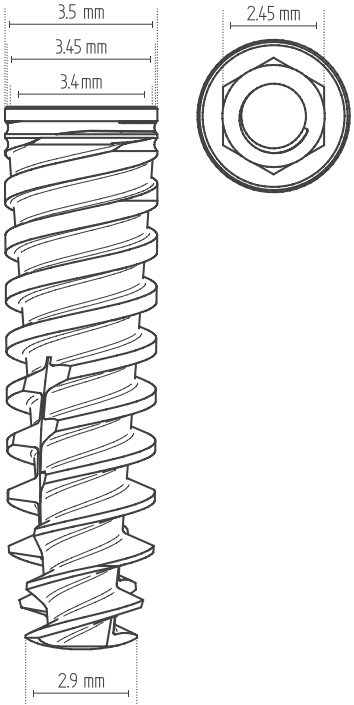


TOUAREG™ - OS $\varnothing 3.5$

OsseoFix™ Surface
Titanium Grade 5

Catalog No.	Length mm		
ISF0835	8		
ISF1035	10		
ISF1135	11.5		
ISF1335	13		
ISF1635	16		
ISF1835	18		

Drill Sequence

BONE TYPE D-IV	BONE TYPE D-II & III	BONE TYPE D-I
1. Tri-Step*	1. Tri-Step* 2. (3.2)	1. Tri-Step* 2. (3.2)

Note: (x.xx) drill to the depth of the cortex only. All measurements are in mm.

⚠ CAUTION: The drill preparation is up to 1mm longer than the implants.

* For initial drilling, you may use 2, 2.8 and 3.2 drills in sequence instead of the Tri-Step drill.

